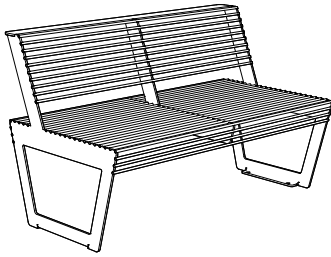
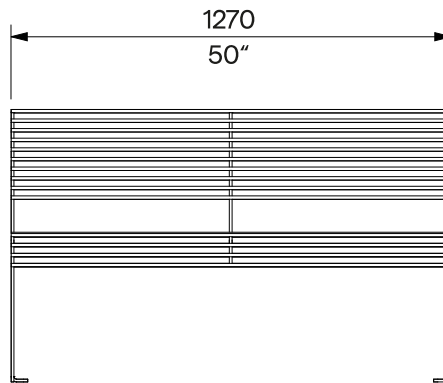
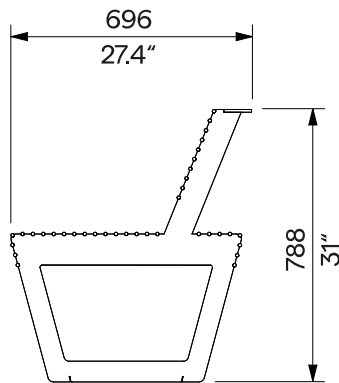


**A-Collection**  
**Steel Bench with Backrest**  
**Stahlbank mit Rückenlehne**  
**1.27 m / 4' 2.00"**



**A3-201**  
removable anchoring  
abnehmbare Verankerung



<b>Design</b>	Egoé studio	
<b>Character</b>	The steel bars of the seat and backrest are welded to the supporting steel sides. The bench is designed for 2 persons, load capacity is 400 kg (2 x 200 kg) [882 lbs (2 x 441 lbs)].	<b>Charakter</b>
<b>Material</b>	The bench is a weldment of steel strips and bars with a diameter of 10 mm [0.394"]. The surface treatment of the steel elements consists of a corrosion-protective zinc coating and a powder coating. The colour in a fine matt texture can be selected according to „ <a href="#">Samplers / RAL</a> “.	<b>Material</b>
<b>Anchoring</b>	Anchoring to the paving in the concrete base using threaded rods according to the valid anchorage drawing. All elements of the street furniture must be properly anchored, otherwise there is a risk of the product falling over during careless use, for which the manufacturer is not responsible.	<b>Verankerung</b>
<b>Maintenance</b>	Use the usual cleaning methods suitable for street furniture, see the manual „ <a href="#">Inspection and maintenance</a> “.	<b>Wartung</b>
<b>Weight</b>	62 kg [137 lbs]	<b>Gewicht</b>
		62 kg

**technical sheet / technisches Arbeitsblatt**

The dimensions of the products are informative. We reserve the right to change the specifications without notice. For the most current version of this document please refer to our website.  
Die Abmessungen sind informativ. Wir behalten uns das Recht vor, die Spezifikationen ohne vorherige Ankündigung zu ändern. Die gültige Version dieses Dokuments finden Sie auf unserer Website.